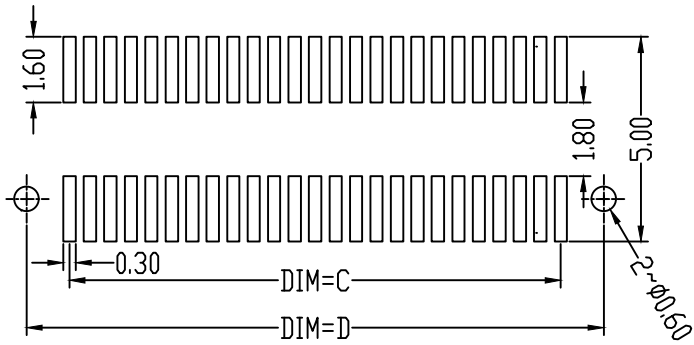
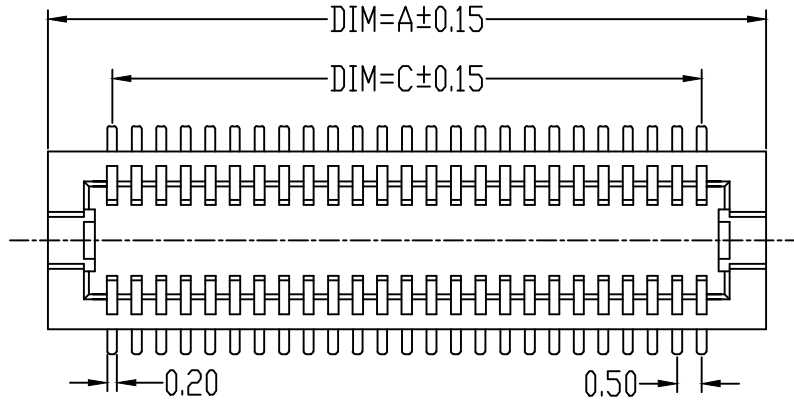


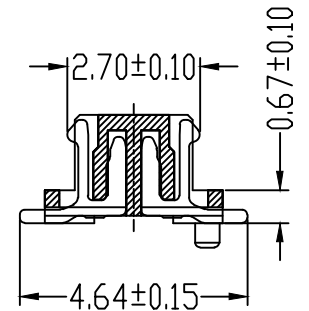
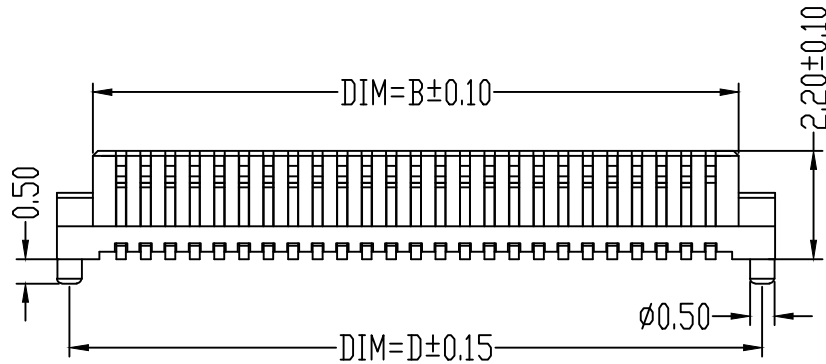
RoHS Compliant

Rev.	change details	effective date	updated by	date
A	Initial release	2020.12.19	FHY	20.12.19

PIN	DIM=A	DIM=B	DIM=C	DIM=D
20 P	7.12	5.64	4.50	6.60
30 P	9.62	8.14	7.00	9.10
32 P	10.12	8.64	7.50	9.60
36 P	11.12	9.64	8.50	10.60
40 P	12.12	10.64	9.50	11.60
50 P	14.62	13.14	12.00	14.10
60 P	17.12	15.64	14.50	16.60



RECOMMEND P.C.BOARD LAYOUT
PCB TOLERANCE:±0.05



PERFORMANCE

Electical Rating: AC/DC 50V 0.5A

Insulation Resistance: 500MΩ


Withstang Volt: 200V AC/minute

Opratng Temperature: -55°to+85°

Material

Contact: Phosphor Bronze GOLD-Plated

Housing: LCP

UNLESS OTHERWISE STATED		ORIGINALLY BY	ZWON
DIMENSIONS IN mm		DRAWN: FHY	
TOLERANCE:		CHECKED: FY	 发现更多 扫描官网
ANGLEAR ±1°	LINEAR	APPROVED: FY	
	X 0.5 X.X ±0.2 X.XX ±0.1	DATE: 2020.12.19	

深圳市征华电子有限公司
Shenzhen ZWON Electronics Co.,Ltd.

SERIES: 0.50 BTB/Male/Single Slot/SMT
TYPICAL 0.50mm BTB 公头 单槽 合高5.0
MODEL: SMT 带柱

Drawing No.		DRXXX-XX	
Scale	Revision	Sheet	
FIT	A	1 of 1	
ZWON P/N:		Customer P/N:	